

# 固態繼電器 SOLID STATE RELAY

X = 1Port, 2Port, 4Port, 8Port

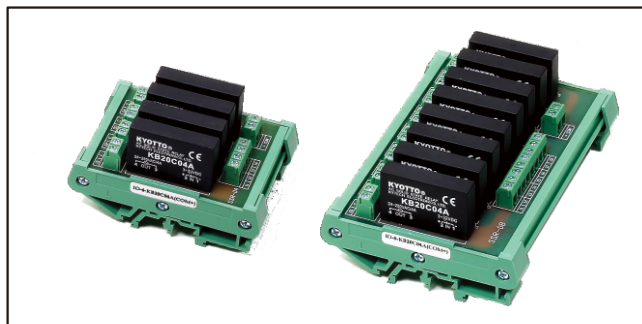
IO-1-KB20C\_A

IO-2-KB20C\_A

IO-4-KB20C\_A com(+), com(-)

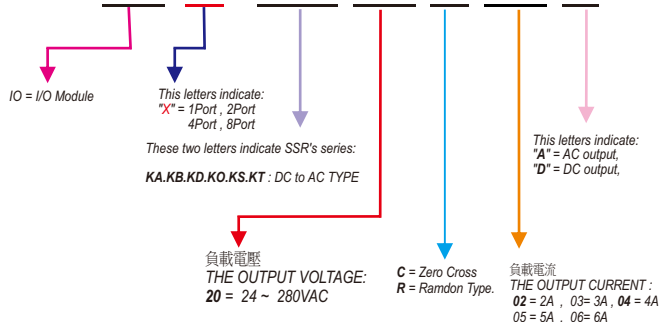
IO-8-KB20C\_A com(+), com(-)

IO-X-KB20C\_A SERIES



型號索引說明 Model No. Descriptions:

## IO-X-KB20C04A



## 產品摘錄 PRODUCT SELECTON

### 輸出規格 OUTPUT SPECIFICATIONS

品名	Description	IO-X-KB20C02A	IO-X-KB20C03A	IO-X-KB20C04A	IO-X-KB20C05A	IO-X-KB20C06A
負載電壓範圍	Operating Voltage [VAC]	24-280VAC	24-280VAC	24-280VAC	24-280VAC	24-280VAC
最大負載電流	Maximum Load Current [Adc]	2A	3A	4A	5A	6A
破壞電壓	Maximum Transient Overvoltage [Vpk]	600	600	600	600	600
洩露電流	Maximum Off-State Leakage Current @Rated Voltage [mA]	Less 3mA	Less 3mA	Less 3mA	Less 3mA	Less 3mA
最大瞬間承受電流	Maximum Surge Current [Adc] (10ms)	20A	30A	40A	50A	60A
動作壓降	Maximum On-State Voltage Drop @ Rated Current [VACrms]	1.5	1.5	1.5	1.5	1.5
瞬間電壓變化率	Maximum Off-State dV/dt [V/uSEC]	200	200	200	200	200

### 輸入規格 INPUT SPECIFICATIONS

品名	Description	IO-X-KB20C02A	IO-X-KB20C03A	IO-X-KB20C04A	IO-X-KB20C05A	IO-X-KB20C06A
控制電壓範圍	Control Voltage Range	4-32VDC	4-32VDC	4-32VDC	4-32VDC	4-32VDC
最小導通電壓	Minimum Turn-on Voltage	4.0	4.0	4.0	4.0	4.0
最小關斷電壓	Minimum Turn-off Voltage	1.0	1.0	1.0	1.0	1.0
輸入電流	Typical Input Current	15mA	15mA	15mA	15mA	15mA
最大動作時間	Maximum Turn-on Time [mSec]	Less 2m Sec	Less 2m Sec	Less 2m Sec	Less 2m Sec	Less 2m Sec
最大關斷時間	Maximum Turn-off Time [mSec]	Less 1/2AC cycle	Less 1/2AC cycle	Less 1/2AC cycle	Less 1/2AC cycle	Less 1/2AC cycle

### 一般規格 GENERAL SPECIFICATIONS

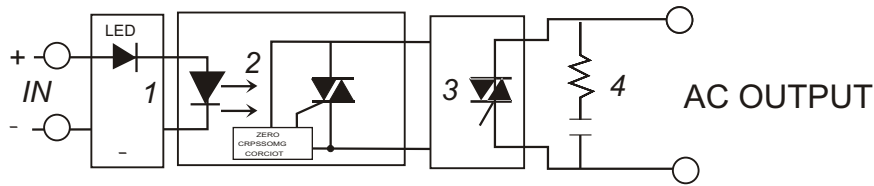
品名	Description	IO-X-KB20C02A	IO-X-KB20C03A	IO-X-KB20C04A	IO-X-KB20C05A	IO-X-KB20C06A
輸入/輸出至外殼絕緣電壓	Dielectric Strength, Input-Output Base (50/60Hz)	-	-	-	-	-
輸入/輸出絕緣電壓	Dielectric Strength, Input-Output (50/60Hz)	2500	2500	2500	2500	2500
絕緣電阻	Minimum Insulation Resistance	10 <sup>9</sup> ohm	10 <sup>9</sup> ohm	10 <sup>9</sup> ohm	10 <sup>9</sup> ohm	10 <sup>9</sup> ohm
輸入-輸出容抗	Maximum Capacitance, Input-Output	Less 15pf	Less 15pf	Less 15pf	Less 15pf	Less 15pf
工作溫度範圍	Ambient Operating Temperature Range	-20°C~+80°C	-20°C~+80°C	-20°C~+80°C	-20°C~+80°C	-20°C~+80°C
儲存溫度範圍	Ambient Storage Temperature Range	-40°C~+100°C	-40°C~+100°C	-40°C~+100°C	-40°C~+100°C	-40°C~+100°C
觸發方式	Switching Type	Zero Cross	Zero Cross	Zero Cross	Zero Cross	Zero Cross
重量	Weight (g)	1 Port : 33g	2 Port : 73g	4 Port : 128g	8 Port : 238g	

### GENERAL NOTES

- (1) All parameters at 25°C unless otherwise specified
- (2) Dielectric strength and insulation resistance are measured between input and output
- (3) Heat sinking require, for derating curves see next page.

# 等效電路圖 EQUIVALENT CIRCUIT

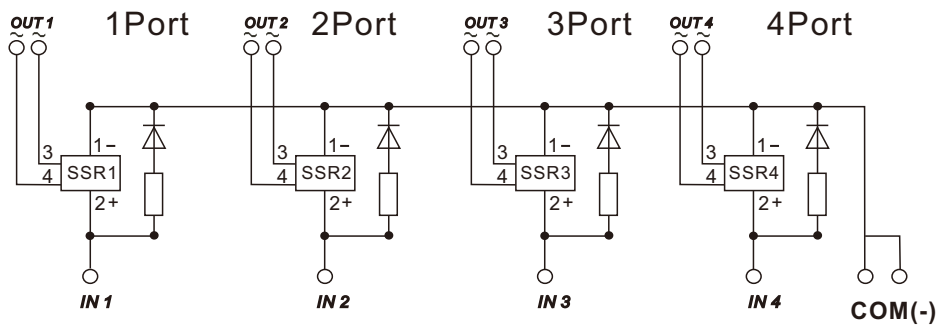
DC to AC type / 直流對交流型



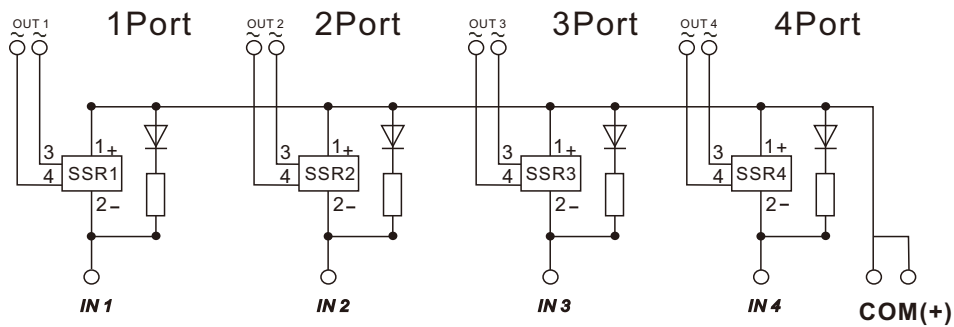
- 1.INPUT CIRCUIT
- 2.ZERO-CROSS CIRCUIT
- 3.OUTPUT CIRCUIT
- 4.PROTECTED CIRCUIT

# 接線圖 Circuit Diagram

IN/PUT CONTROL : COM (-)



IN/PUT CONTROL : COM (+)



# 外觀尺寸圖 MECHANICAL DIMENSIONS (Unit:mm)

Model	Dimension (LxWxH)mm
IO-1 port	14x87x51
IO-2 port	34x87x51
IO-4 port	64x87x51
IO-8 port	124x87x51

